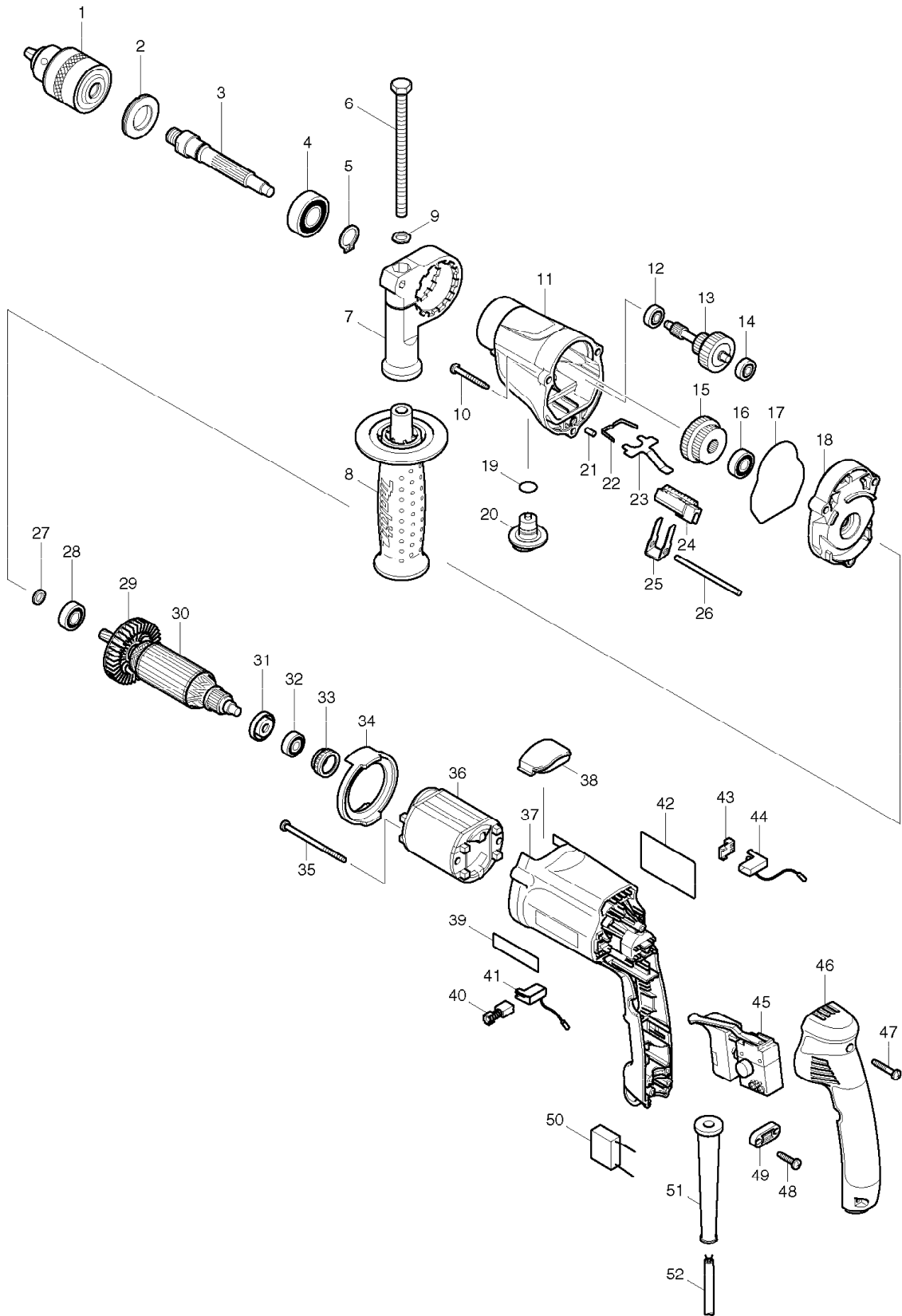


SERVICE DRAWING

MODEL NO. DP4010



SPARE PARTS LIST

MODEL NO. DP4010

ITEM	PART NO.	DESCRIPTION	QTY	NOTE
001	193067-6	DRILL CHUCK & KEY SET	1	
002	285806-9	BEARING RETAINER 19-36	1	
003	324835-8	SPINDLE	1	
004	211206-7	BALL BEARING 6202LLB	1	
005	961055-9	RETAINING RING S-15	1	
006	921923-8	HEX. BOLT M8X120	1	
007	417630-4	GRIP BASE	1	
008	*****	*****	***	*****
009	345280-4	HEX. WASHER	1	
010	266351-3	TAPPING SCREW 4X35	3	
011	318187-7	GEAR HOUSING	1	
012	210028-2	BALL BEARING 606ZZ	1	
013	153622-6	GEAR COMPLETE	1	
014	210028-2	BALL BEARING 606ZZ	1	
015	227030-8	SPUR GEAR 29-37	1	
016	210029-0	BALL BEARING 608ZZ	1	
017	421810-6	SEAL RING	1	
018	158412-2	GEAR HOUSING COVER COMPLETE	1	
019	213122-9	O RING 12	1	
020	417805-5	CHANGE LEVER B	1	
021	256251-5	PIN 4	1	
022	232143-2	LEAF SPRING	1	
023	345225-2	LOCK PLATE	1	
024	417804-7	RACK 12	1	
025	345223-6	CHANGE PLATE B	1	
026	268092-7	PIN 4	1	
027	262087-2	RING 8	1	
028	210005-4	BALL BEARING 608DDW	1	
029	241881-5	FAN 52	1	
030	517414-1	ARMATURE ASS'Y 220-240V INC. 27,28,29,31,32	1	
031	681636-0	INSULATION WASHER	1	
032	211021-9	BALL BEARING 607LLB	1	
033	421494-0	RUBBER RING 19	1	
034	417803-9	BAFFLE PLATE	1	
035	266340-8	TAPPING SCREW 4X65	2	
036	633528-9	FIELD 220-240V	1	
037	417807-1	MOTOR HOUSING	1	
038	450179-1	CAP	1	
040	191962-4	CARBON BRUSH CB-419	1	
041	643989-5	BRUSH HOLDER	1	
042	864024-8	DP4010 NAME PLATE	1	
043	689111-0	SPACER	2	
044	643988-7	BRUSH HOLDER	1	
045	650524-2	SWITCH TG813ALB-2	1	
046	153284-0	HANDLE COVER COMPLETE	1	
047	266374-1	TAPPING SCREW 4X25	3	
048	266326-2	TAPPING SCREW 4X18	2	
049	687124-5	STRAIN RELIEF	1	
050	645200-1	NOISE SUPPRESSOR	1	
051	682559-5	CORD GUARD 8	1	
052	665394-6	POWER SUPPLY CORD 1.0-2-2.5	1	
A01	324219-0	DEPTH GAUGE	1	
A02	410102-8	KEY HOLDER	1	
A03	763430-3	CHUCK KEY S13	1	